



# Forno Bravo

Authentic Italian Wood-Fired Ovens

**Calore2G Modular Fireplace Kit  
Installation and Operation Manual**

**Forno Bravo, LLC**

**Calore2G Series Modular Fireplace Kit, Including:**

Calore2G75 (SKUCC2G75)

Calore2G90 (SKUCC2G90)

Calore2G105 (SKUCC2G105)

Calore2G120 (SKUCC2G120)

**Assembly and Operation Manual**

**OUTDOOR USE ONLY.**



*Forno Bravo, LLC  
744 Neeson Road  
Marina, CA 93933  
(800) 407-5119  
info@fornobravo.com  
<http://www.fornobravo.com>*



Forno Bravo

Authentic Italian Wood-Fired Ovens

**Calore2G Modular Fireplace Kit  
Installation and Operation Manual**

## **WARNING**

**READ ALL INSTRUCTIONS BEFORE INSTALLING AND USING THE APPLIANCE. FAILURE TO FOLLOW INSTRUCTIONS MAY RESULT IN PROPERTY DAMAGE, BODILY INJURY, OR EVEN DEATH.**

HOT WHILE IN OPERATION. KEEP CHILDREN, CLOTHING AND FURNITURE AWAY. CONTACT MAY CAUSE SKIN BURNS.

**ALWAYS OBTAIN THE PROPER PERMITS FROM YOUR LOCAL BUILDING AND FIRE SAFETY AUTHORITIES WHEN INSTALLING THIS PRODUCT. ALWAYS COMPLY WITH ALL LOCAL BUILDING CODES.**

This product is designed to burn wood or gas. Use solid wood, or plumbed propane (LP) or Natural Gas only.

Any gas log used with this product must be approved for outdoor use.

Do not use a fireplace insert with this product.

***This Product is Not Approved for Indoor Installation.***

***Use Only Non-Combustible Building Materials When Installing the Calore2G Fireplace, and Follow All Relevant Building and Fireplace Codes for Setbacks to Combustibles from the Fireplace Opening and Chimney.***

**SAVE THESE INSTRUCTIONS**



# Forno Bravo

Authentic Italian Wood-Fired Ovens

## **Calore2G Modular Fireplace Kit Installation and Operation Manual**

## **Limited Warranty**

### **Forno Bravo, LLC Pizza Ovens and Fireplaces**

#### **THE WARRANTY**

Forno Bravo, LLC, an importer and producer of pizza ovens and fireplaces, warrants its ovens and fireplaces (herein referred to as Product) to be free from defects in materials and workmanship for a period of (1) one year from the date of shipment.

#### **QUALIFICATIONS TO THE WARRANTY**

The complete Product Warranty outlined above does not apply under the following circumstances:

- (1) The Product was not installed in accordance with Forno Bravo installation instructions and local building codes.
- (2) The Product has been subjected to non-standard use, including burning fuels with abnormal burning characteristics including, driftwood, coal, plywood and wood products using a binder that may burn at excessive temperatures and cause damage to the Product.
- (3) This Warranty does not apply to normal wear and tear.
- (4) This Warranty does not apply to any cracking caused by over-firing or the failure to follow a proper curing schedule.
- (5) In the event that the Listing plate has been removed, altered or obliterated.
- (6) On parts that would be normally worn or replaced under normal conditions.
- (7) Normal cracking due to expansion and contraction stress relief in either the dome or floor blocks.

#### **LIMITATION ON LIABILITY**

It is expressly agreed and understood that Forno Bravo's sole obligation and purchaser's exclusive remedy under this Warranty, under any other warranty, expressed or implied, otherwise, shall be limited to replacement, repair, or refund, as specified above, and such liability shall not include, and

purchaser specifically renounces any rights to recover, special, incidental, consequential or other damages of any kind whatsoever, including, but not limited to, injuries to persons or damage to property, loss of profits or anticipated profits, or loss of use of the product.

In no event shall Forno Bravo be responsible for any incidental or consequential damages caused by defects in its products, whether such damage occurs or is discovered before or after replacement or repair, and whether or not such damage is caused by Forno Bravo's negligence. Some states do not allow the exclusion or limitation of incidental or consequential damages, so the above limitation or exclusion may not apply to you. The duration of any implied warranty with respect to this Product is limited to the duration of the foregoing warranty. Some states do not allow limitations on how long an implied warranty lasts, so the above may not apply to you.

#### **INVESTIGATION OF CLAIMS AGAINST WARRANTY**

Forno Bravo reserves the right to investigate any and all claims against this Warranty and to decide upon method of settlement.

#### **DEALERS HAVE NO AUTHORITY TO ALTER THIS WARRANTY**

Forno Bravo's employees and dealers have no authority to make any warranties nor to authorize any remedies in addition to or inconsistent with those stated above.

#### **HOW TO REGISTER A CLAIM AGAINST WARRANTY**

In order for any claim under this Warranty to be valid, Forno Bravo must be notified of the claimed defect in writing or by telephone to Forno Bravo, 744 Neeson Road, Marina, CA, 93933. Claims against this Warranty in writing should include the date of installation, and a description of the defect.



# Forno Bravo

Authentic Italian Wood-Fired Ovens

**Calore2G Modular Fireplace Kit  
Installation and Operation Manual**

## Table of Contents

1. About Your Fireplace.....	5
2. Provided with the Product .....	6
3. Clearances .....	7
4. Ventilation .....	8
5. Assembly .....	9
6. Operation and Maintenance .....	11
Appendix 1: Dimensions .....	12



# Forno Bravo

Authentic Italian Wood-Fired Ovens

## ***Calore2G Modular Fireplace Kit Installation and Operation Manual***

### **1. About Your Fireplace**

The Calore2G is a modular fireplace kit designed for outdoor use. It consists of a number of interlocking refractory components that are assembled to construct the basic fire box, fireplace throat, smoke box and chimney.

The inside of the fire box is finished with firebrick splits for an authentic brick fireplace appearance, while the outside of the fireplace kit can either be finished with a non-combustible decorative material, such as stucco, brick or stone, or it can be built into a decorative enclosure, but using either Concrete Masonry Units (CMU) or metal studs and backer board.

The fireplace kit can be assembled on a concrete slab poured at ground level, or it can be raised up with a CMU stand and a concrete slab.



## 2. Provided with the Product

Part #	Description	30"	36"	42"	48"
1	Base	1	1	1	1
2	Fire box back wall	1	2	2	2
3	Fire box angled back wall	1	1	1	1
4	Fire box side wall	4	6	6	6
5	Throat angled front wall	1	1	1	1
6	Throat back wall	1	1	1	1
7	Throat side wall	2	2	2	2
8	Smoke box front/back wall	2	2	2	2
9	Smoke box side walls	2	2	2	2
10	12" smoke box top	1	1		
10	14" smoke box top			1	1
11	12" chimney section	4	4		
11	14" chimney section			4	4

### Owner Supplied Installation Materials

High Temperature, waterproof mortar

Firebrick splits (9"x4.5"x1.25" or 9"x2.5"x1.25")

### Optional Owner Supplied Installation Materials

Concrete Masonry Units (CMU)

Metal studs and backer board (Hardibacker) panels

Stucco, brick, decorative stone



# Forno Bravo

Authentic Italian Wood-Fired Ovens

## **Calore2G Modular Fireplace Kit Installation and Operation Manual**

### **3. Clearances**

The Calore2G is designed for outdoor use. It can be installed as a free standing fireplace, or it can be built into a larger decorative enclosure. It must be installed on a non-combustible platform; typically a reinforced concrete slab on the ground, or raised with Concrete Masonry Units (CMU).

All installation building materials must be non-combustible, such as CMUs or metal stud framing and backer board (Hardibacker) panels. There are no air-space or clearance requirements between the Calore2G fireplace and the non-combustible building materials.

Do not use insulation with the Calore2G fireplace kit. In the event that your building enclosure does have air-space between the fireplace kit and the building materials, do not pack insulation or any other material in the opening.

Drywall, plywood, and wood framing are all combustible building materials and cannot be used when installing this product.

#### **Hearth Extension**

The Calore2G fireplace kit does not provide a hearth extension product or building material. If you want to build a hearth extension, use non-combustible building materials.

The minimum floor hearth extension areas from the fireplace opening to combustible floors are as follows:

- 8" on each side of the fireplace opening
- 24" in front of the fireplace opening

#### **Additional Clearances**

Clearance from the fireplace opening to a combustible sidewall is 28"

#### **Mantel Requirements**

A decorative mantel can be attached above the fireplace, and must be a minimum of 12" above the fireplace opening.



## 4. Ventilation

The height of the chimney sections provided with the Calore2G fireplace kit represent the minimum height necessary to provide adequate air draw. Additional chimney sections can be purchased to increase the height of the chimney to either improve air draw and for design reasons.

The Calore2G fireplace kit can also be vented using a pre-fabricated, Listed UL103 steel chimney system. Available from a number of manufacturers, these systems offer an anchor plate, chimney pipe, spark arrestor, and various angles and straps. Always use the correct anchor plate to attach the chimney system to the Calore2G fireplace, and follow the manufacturer's installation instructions.

A UL103 Listed chimney system can be used to extend the chimney sections provided with the Calore2G fireplace kit, or it can be attached to the smoke box top.

Fireplace Size	Chimney Diameter	Minimum Chimney Height
30"	12"	24"
36"	12"	24"
42"	14"	24"
48"	14"	36"

Chimney termination must be a minimum of 24" above any combustible structure within 10'.





## 5. Assembly

The Calore2G fireplace kit is assembled using high temperature, waterproof mortar. Here are some tips to make your assembly fast and accurate.

- Take a few minutes to “dry stack” your Calore2G fireplace kit without using mortar. That will show you how the pieces fit together;
- Know that this is a two-man job. Have a helper;
- Use a level to make sure that all of your fireplace components are level and plumb;
- Be sure to calculate the thickness of the firebrick floor and mortar to determine the finished height of the fireplace and the height of the foundation and/or CMU stand that holds the fireplace kit;
- Use a trowel to place a 1/4” bead of mortar between each touching fireplace component face;
- Line the assembled fire box (component numbers 1, 2, 3 and 4) with firebrick splits before you assemble the fireplace throat (component numbers 5, 6 and 7).

### Assembly Steps

#### 1. Set the fireplace base.

The fireplace base (1) is not designed to span a gap between CMU walls. If you are raising your fireplace on a CMU stand, be sure to frame and pour a 3 1/2” rebar reinforced concrete slab to hold the fireplace base.

Make sure the fireplace base is level and that it “faces” in the right direction. You will not be able to move it later.

#### 2. Set the firebox.

Mortar one level of the firebox sides (4) and back wall (2) together and to the fireplace base. Check for level and continue with the next level. Mortar the fire box angled back wall (3) and the fire box sides and complete the fire box. Check that it is level and plumb. At this point, you can line the fire box walls and floor with firebrick splits.

#### 3. Set the fireplace throat.

Place the angled throat front (5) and the straight throat back (6) across the opening at the top of the fire box.



*Note: the hearth extension is not provided with the Calore2G kit.*



### Assembly (continued)

Place the throat side pieces (7) into the interlocking joints with the throat front (5) and back (6).

#### 4. Set the smoke box

Place the smoke box front and back (8) across the fireplace throat.

Place the smoke box sides (9) into the interlocking joints with the smoke box front and back (8).

#### 5. Set the smoke box top

Place the smoke box top (10) over the smoke box opening.

#### 6. Set the chimney pieces.

Place the chimney pieces (11) over the smoke box top.

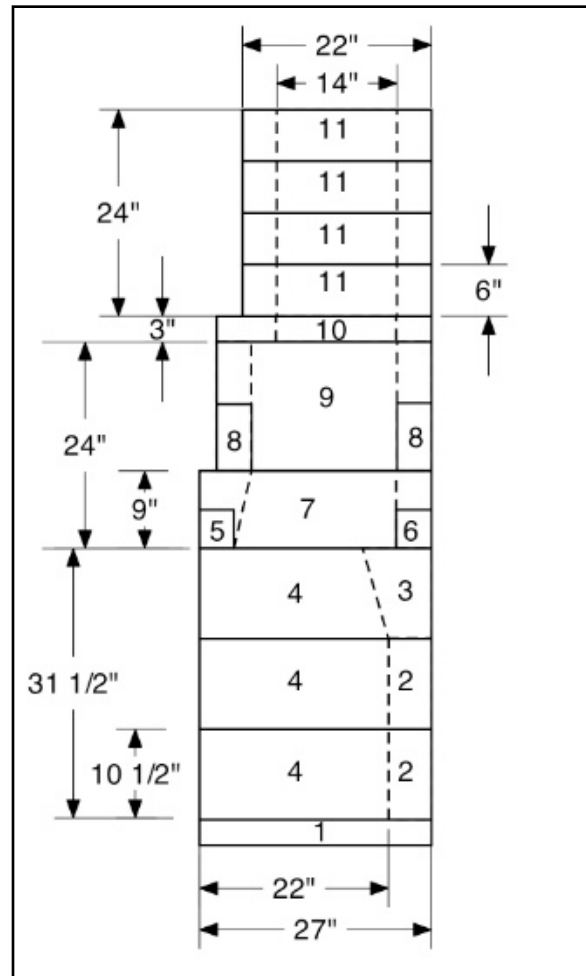
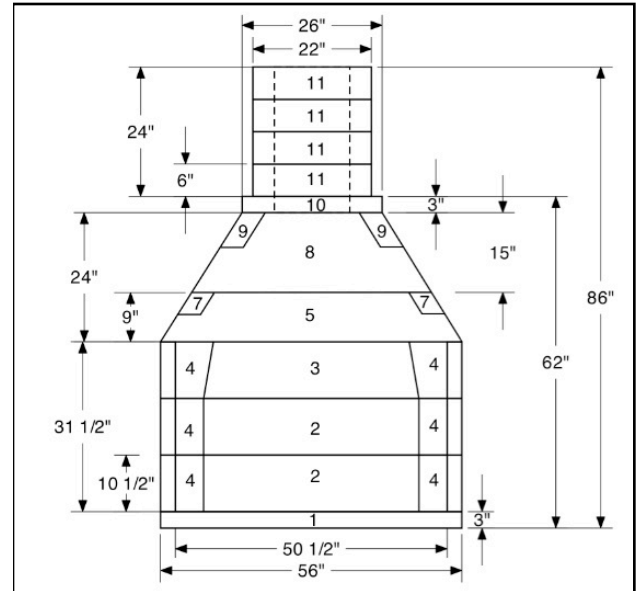
#### 7. Line the fire box with firebrick splits.

### Notes

You can enclose the Calore2G in a decorative enclosure using CMUs or metal studs and backer board. You can also attach non-combustible finish materials, including stucco, brick or stone directly to the fireplace kits. You can use brick ties with the Calore2G kit.

Do not worry if one of your fireplace components has a hairline crack. The structure of the fireplace holds each component tightly in place, and small cracks are not a problem. If one of your components is cracked in one place from improper handling, you can mortar the piece together and continue with assembly.

If you receive a shipment which has been handled improperly and a component is broken in more one place, contact Forno Bravo to receive a replacement component.





# Forno Bravo

Authentic Italian Wood-Fired Ovens

## **Calore2G Modular Fireplace Kit Installation and Operation Manual**

## **6. Operation and Maintenance**

### **Operation**

#### **DO NOT OVER FIRE**

Burn solid, well seasoned wood only.

To maximize wood burning efficiency, use a log grate.

Use firewood for burning only. DO NOT use charcoal, pressure treated lumber, sappy wood such as pine, laminated wood or any material other than dry medium or hard firewood.

DO NOT USE liquid fuel (firelighter fluid, gasoline, lantern oil, kerosene or similar liquids) to start or maintain a fire. Fire starters (smokeless, odorless, non-toxic lighter cubes) are recommended.

Dispose of ashes using a metal shovel and place in a metal bin with a tightly fitting lid. The container should be stored on a non-combustible surface, away from all combustible materials. Ensure ashes are completely cold before disposing of them appropriately.

BEWARE of flying sparks from mouth of fireplace. Ensure that no combustible materials are within range of fireplace at any time.

DO NOT use water to dampen or extinguish fire in the fireplace.

Contact your local building department for clarification on any restrictions on installation of this fireplace in your area.

### **Maintenance**

Have your chimney cleaned by a professional chimney sweep if you have doubts about your ability to clean it. Use a plastic, wood, or steel brush. If you have installed a UL103 chimney system, do not use a brush that will

scratch the stainless steel liner of your chimney. Scrub the spark arrestor with a wire brush.

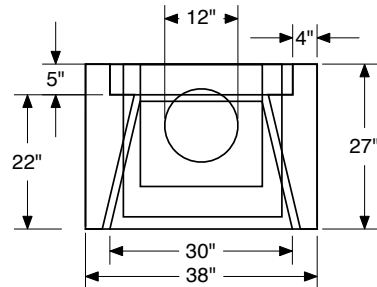
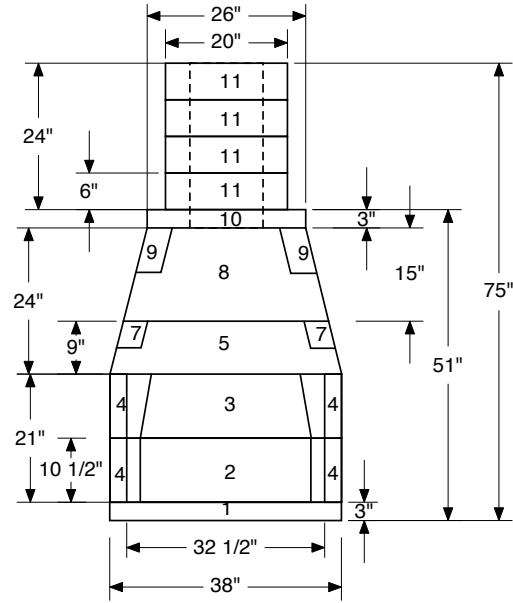
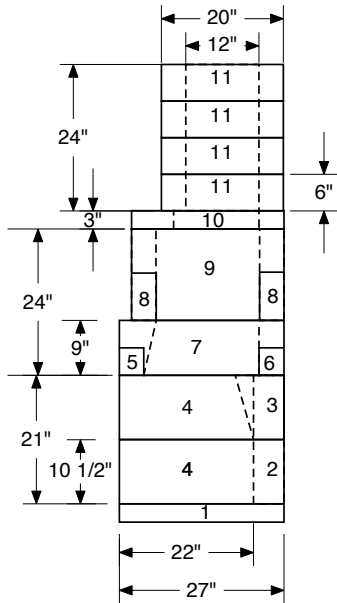
Creosote – Formation and need for removal. When wood is burned slowly, it produces tar and other organic vapors that combine with expelled moisture to form creosote. The creosote vapors condense in a relatively cool oven flue and exhaust hood of a slow burning fire. As a result, creosote residue accumulates on the flue lining and exhaust hood. When ignited, this creosote makes an extremely hot fire.

The oven flue should be inspected at least twice a year to determine when creosote buildup has occurred.

When creosote has accumulated, it should be removed to reduce risk of fire.



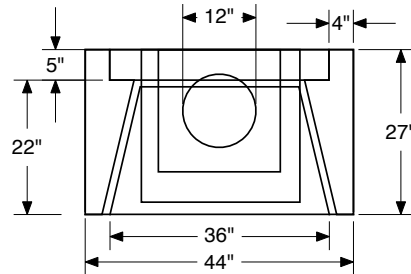
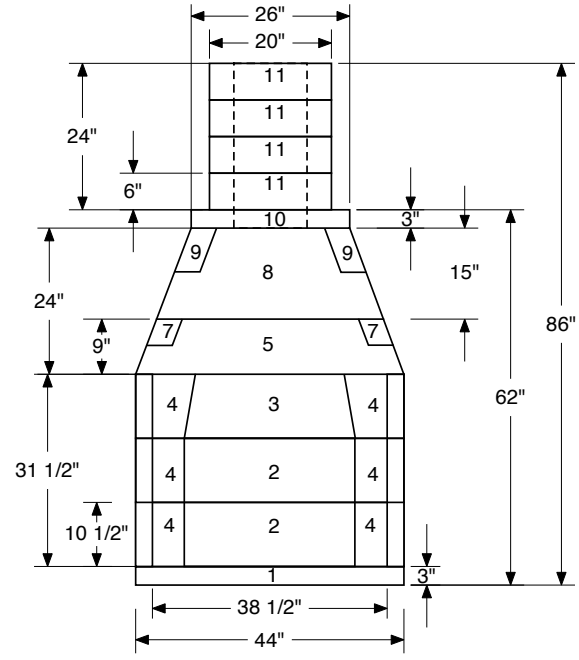
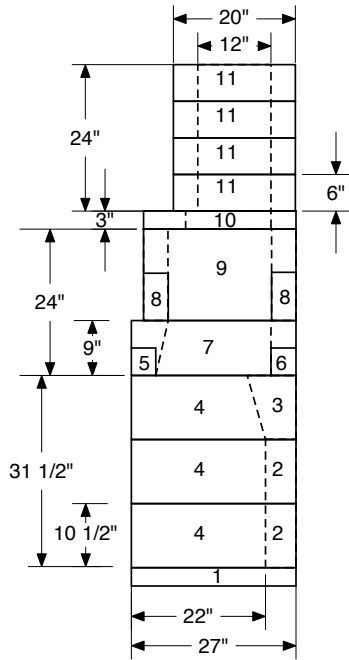
## Appendix 1: Dimensions



## Calore2G75

### 30" Modular Fireplace Kit

v1.0, 09/10  
Copyright Forno Bravo, LLC 2010  
744 Neeson Road  
Marina, CA 93933  
(800) 407-5119



## Calore2G90

### 36" Modular Fireplace Kit

v1.4, 09/10

Copyright Forno Bravo, LLC 2010

744 Neeson Road

Marina, CA 93933

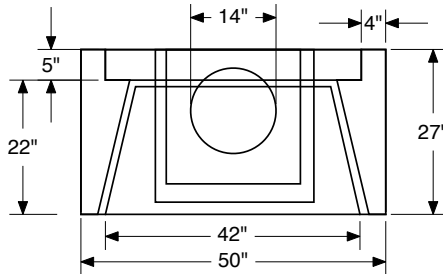
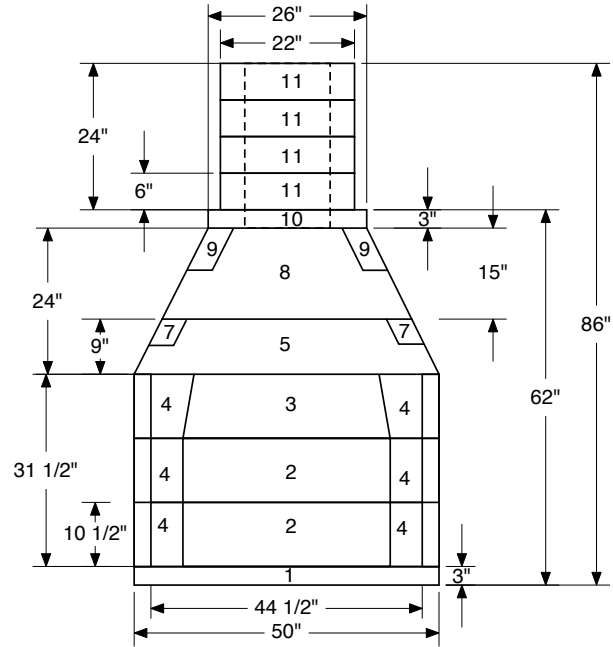
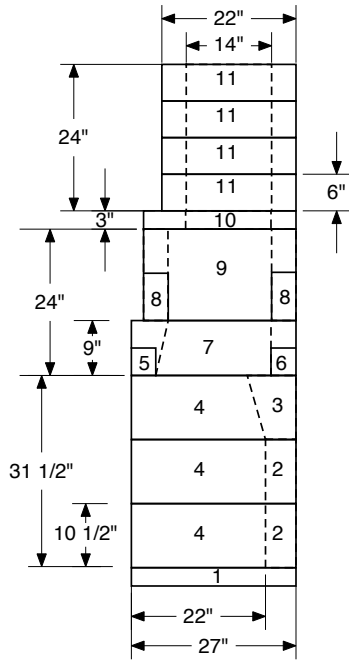
(800) 407-5119



# Forno Bravo

Authentic Italian Wood-Fired Ovens

## Calore2G Modular Fireplace Kit Installation and Operation Manual



## Calore2G105

### 42" Modular Fireplace Kit

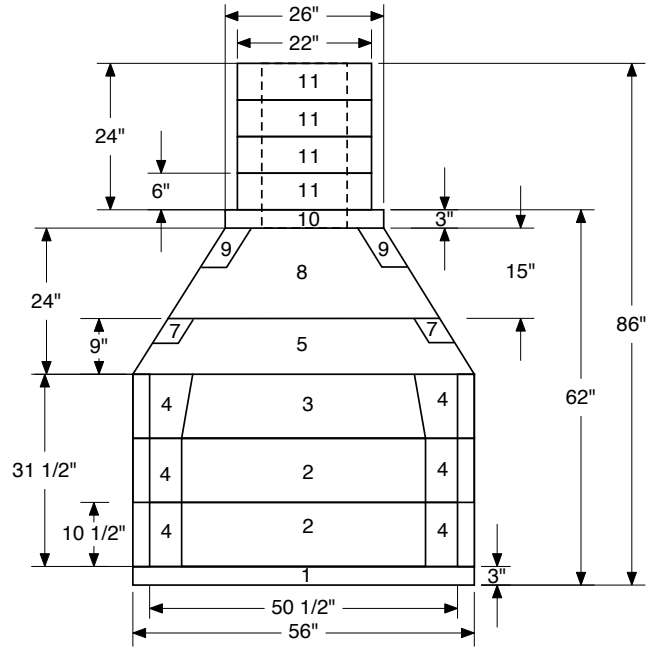
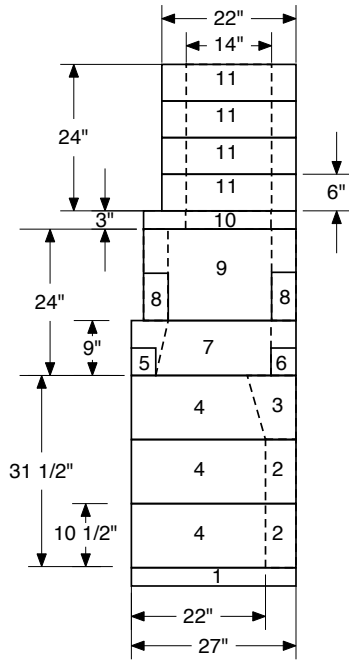
v1.0, 09/10  
Copyright Forno Bravo, LLC 2010  
744 Neeson Road  
Marina, CA 93933  
(800) 407-5119



# Forno Bravo

Authentic Italian Wood-Fired Ovens

## Calore2G Modular Fireplace Kit Installation and Operation Manual



## Calore2G120

### 48" Modular Fireplace Kit

v1.0, 09/10  
 Copyright Forno Bravo, LLC 2010  
 744 Neeson Road  
 Marina, CA 93933  
 (800) 407-5119

